



Micro Commercial Components  
 20736 Marilla Street Chatsworth  
 CA 91311  
 Phone: (818) 701-4933  
 Fax: (818) 701-4939

# RB521G-30

**100 mA**  
**Schottky Barrier Diode**  
**30 Volts**

## Features

- Case Material: Molded Plastic. UL Flammability Classification Rating 94-0 and MSL Rating 1
- Lead Free Finish/RoHS Compliant ("P" Suffix designates RoHS Compliant. See ordering information)
- High Reliability
- Low Reverse Current and Low Forward Voltage.
- Small Surface Mount Type
- Marking : F

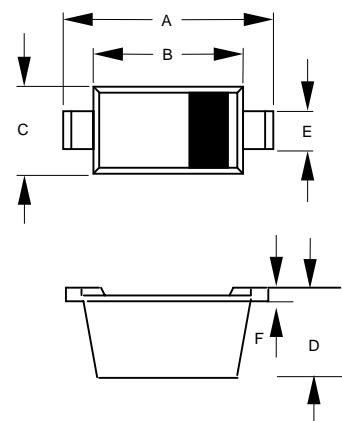
## Maximum Ratings

Symbol	Rating	Rating	Unit
V <sub>R</sub>	DC Reverse Voltage	30	V
I <sub>O</sub>	Mean Rectifying Current	100	mA
I <sub>FSM</sub>	Peak Forward Surge Current*	1	A
T <sub>J</sub>	Junction Temperature	125	°C
T <sub>STG</sub>	Storage Temperature	-40 to +125	°C

## Electrical Characteristics @ 25°C Unless Otherwise Specified

Symbol	Parameter	Min	Typ	Max	Units
V <sub>F</sub>	Forward Voltage (I <sub>F</sub> =10mA <sub>dc</sub> )	---	---	0.35	V <sub>dc</sub>
I <sub>R</sub>	Reverse Current (V <sub>R</sub> =10V <sub>dc</sub> )	---	---	10	uA <sub>dc</sub>

## SOD-723



DIM	DIMENSIONS				NOTE
	INCHES		MM		
	MIN	MAX	MIN	MAX	
A	.051	.059	1.30	1.50	
B	.035	.043	0.90	1.10	
C	.022	.026	0.55	0.65	
D	.021	.026	0.525	0.65	
E	.010	.014	0.25	0.35	
F	.003	.006	0.08	0.15	

●Electrical characteristic curves (Ta=25°C)

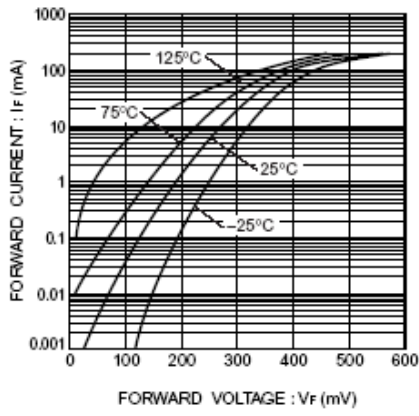


Fig.1 Forward characteristics

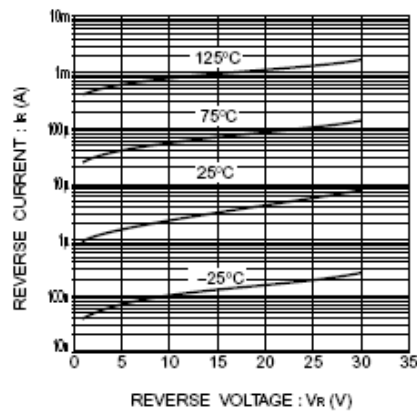


Fig.2 Reverse characteristics

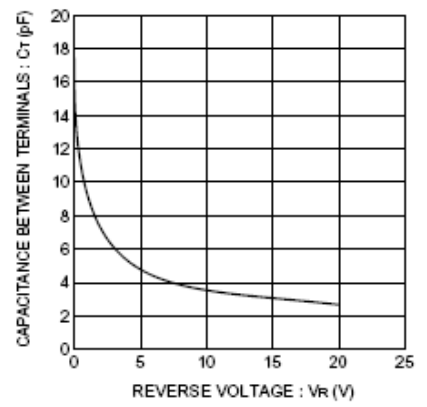


Fig.3 Capacitance between terminals characteristics



Micro Commercial Components

## Ordering Information

Device	Packing
(Part Number)-TP	Tape&Reel;3Kpcs/Reel

### \*\*\*IMPORTANT NOTICE\*\*\*

*Micro Commercial Components Corp.* reserves the right to make changes without further notice to any product herein to make corrections, modifications, enhancements, improvements, or other changes. *Micro Commercial Components Corp.* does not assume any liability arising out of the application or use of any product described herein; neither does it convey any license under its patent rights, nor the rights of others. The user of products in such applications shall assume all risks of such use and will agree to hold *Micro Commercial Components Corp.* and all the companies whose products are represented on our website, harmless against all damages.

### \*\*\*APPLICATIONS DISCLAIMER\*\*\*

Products offer by *Micro Commercial Components Corp.* are not intended for use in Medical, Aerospace or Military Applications.

---

[www.mccsemi.com](http://www.mccsemi.com)